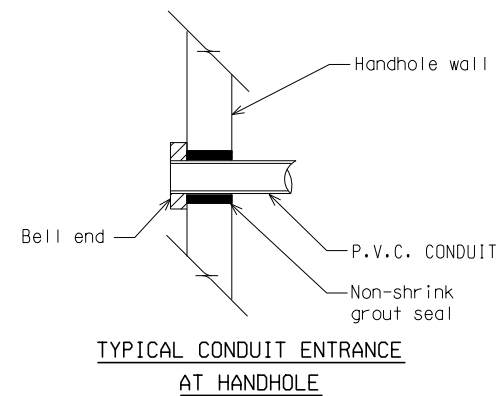


2' PRECAST ROUND HANDHOLE WITH FLOOR



TYPICAL CONDUIT ENTRANCE AT HANDHOLE

NOT TO SCALE

File: RefDoc/TR/Signals/Web/Sp Det/Fin/SIG240A.dgn Rev. 02/16/17



PREPARED BY TRAFFIC AND SAFETY

ENGINEER OF DELIVERY

ENGINEER OF DEVELOPMENT

DRAWN BY: DJF

(SPECIAL DETAIL)

CHECKED BY:

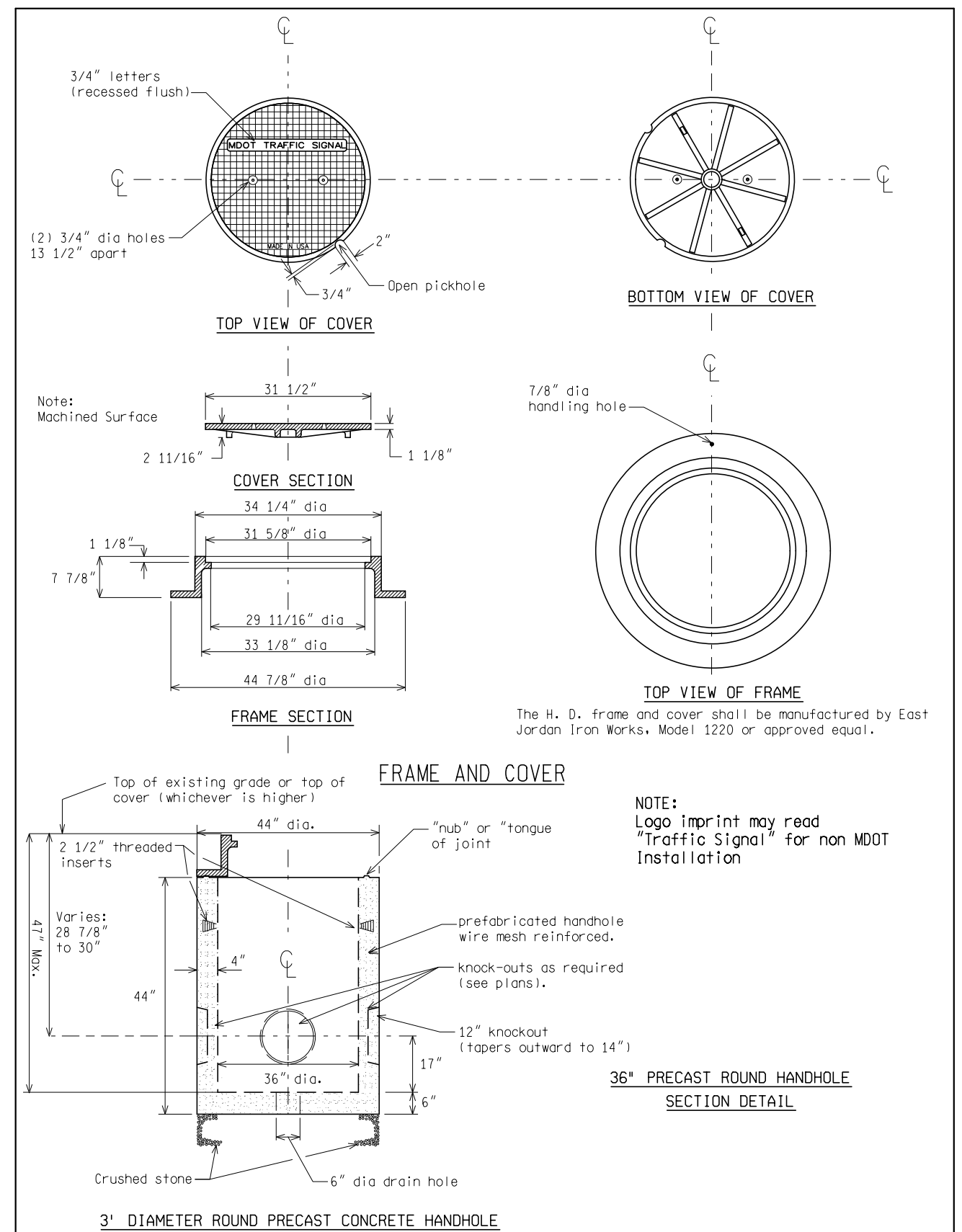
FHWA APPROVAL DATE

MICHIGAN DEPARTMENT OF TRANSPORTATION  
BUREAU OF HIGHWAYS DELIVERY STANDARD PLAN FOR

HANDHOLE- PRECAST,  
POLYMER CONCRETE

SIG-240-A

SHEET 1 of 6



NOT TO SCALE

MICHIGAN DEPARTMENT OF TRANSPORTATION  
BUREAU OF HIGHWAYS DELIVERY STANDARD PLAN

(SPECIAL DETAIL)  
FHWA APPROVAL DATE

File: RefDoc/TR/Signals/Web/Sp Det/Fin/SIG240A.dgn Rev. 02/16/17

PLAN DATE

SIG-240-A

SHEET 2 of 6

AS-LET PLAN REVISIONS							
NO.	DATE	AUTH	DESCRIPTION	NO.	DATE	AUTH	DESCRIPTION



FILE:

DATE:

CS:

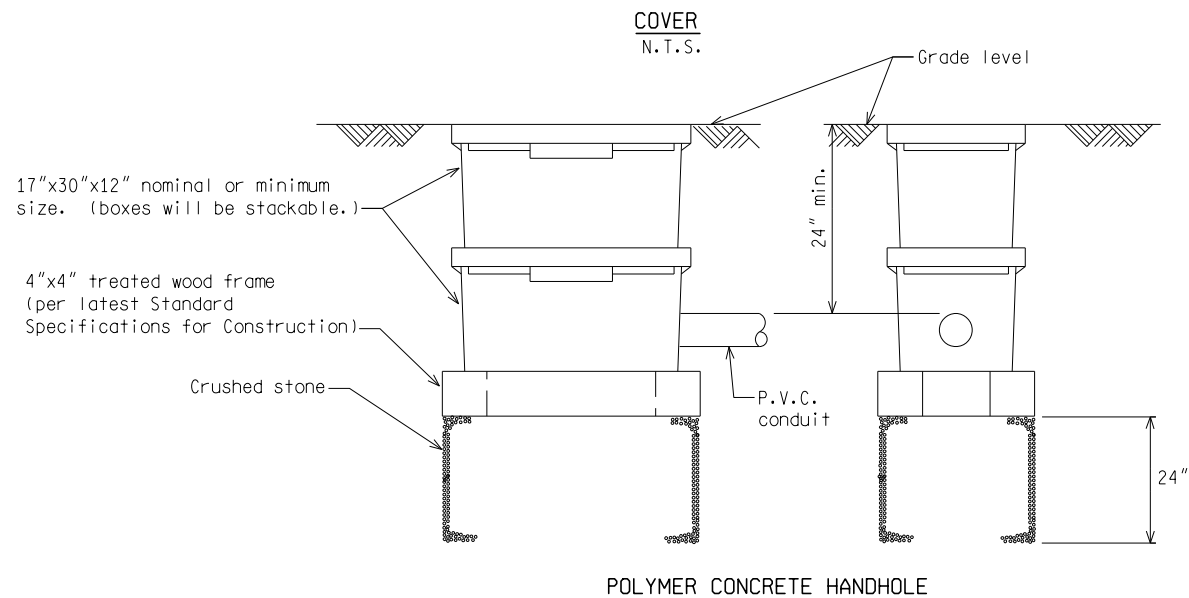
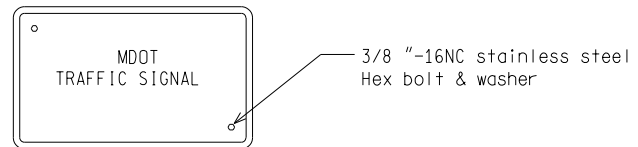
DESIGN UNIT:

JN:

TSC:

DRAWING SHEET

NOTE:  
Logo imprint may read "Traffic Signal"  
for non MDOT installations



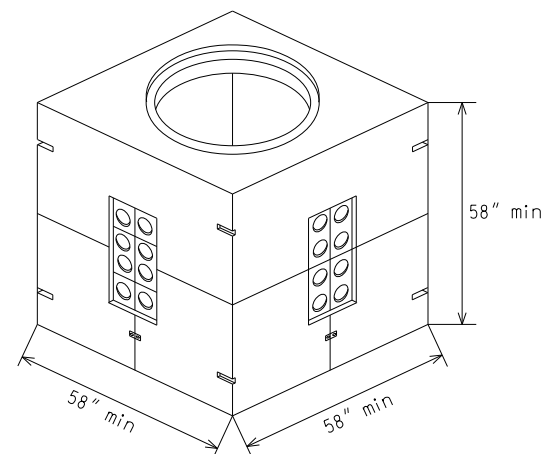
POLYMER CONCRETE HANDHOLE

NOTES PERTAIN TO PRECAST OR BRICK:

- 1) The material and workmanship shall be in accordance with the current M.D.O.T. Standard Specifications for Construction.
- 2) All concrete masonry shall be grade 30M.
- 3) The inner surface of the handhole shall be smooth.
- 4) Heavy Duty covers shall be castings which meet the requirements of the current specifications for gray iron castings ASTM designation A48 and shall have a minimum strength as provided for Class No. 30 gray iron castings.
- 5) All castings shall be cleaned by sand blasting.
- 6) The seating face of the cover and the seat for the same on the frame if required, shall be ground or machined so that the cover shall have an even bearing on its seat to prevent rocking or tilting.
- 7) The castings shall be free of pouring faults, blow holes, cracks, and other imperfections. They shall be sound, true to form and thickness, clean and neatly finished and shall be coated with tar pitch varnish.
- 8) Light Duty cover shall be bolted to frame with not less than 2 countersunk Hex head bronze bolts.
- 9) The Heavy Duty cover & frame shall be East Jordan Iron Works #8206 Neenah Foundry, #R-6662-HP for square cover or East Jordan Iron Works #2860 Type "A", Neenah Foundry #R-6052 D for circular cover or an approved equal.
- 10) Handhole shall be equipped with cable rack and hooks to train cable.

NOT TO SCALE

MICHIGAN DEPARTMENT OF TRANSPORTATION BUREAU OF HIGHWAYS DELIVERY STANDARD PLAN	(SPECIAL DETAIL) FHWA APPROVAL DATE	PLAN DATE	SIG-240-A	SHEET 3 of 6
File: RefDoc/TR/Signals/Web/Sp Det/Fin/SIG240A.dgn Rev. 02/16/17				

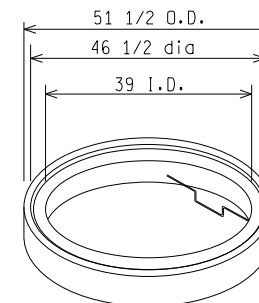


	Length	Width	Height
Inside	48	48	48
Outside	58	58	58
Recommended Hole size	82	82	--

	Min Thickness	Min Weight lbs
Wall	5	Top 3300
Roof	5	Bottom 3850
Floor	5	Total 7150

NOTE:  
Galvanized step is standard with  
grade ring ASTM C478.



Dimensions	
A	Min Wt. (lbs)
6	440
9	650
12	860

GRADE RING WITH 39" I.D. &  
46 1/2" RECESS

4' x 4' x 4' PRECAST CONCRETE HANDHOLE

NOT TO SCALE

MICHIGAN DEPARTMENT OF TRANSPORTATION BUREAU OF HIGHWAYS DELIVERY STANDARD PLAN	(SPECIAL DETAIL) FHWA APPROVAL DATE	PLAN DATE	SIG-240-A	SHEET 4 of 6
File: RefDoc/TR/Signals/Web/Sp Det/Fin/SIG240A.dgn Rev. 02/16/17				

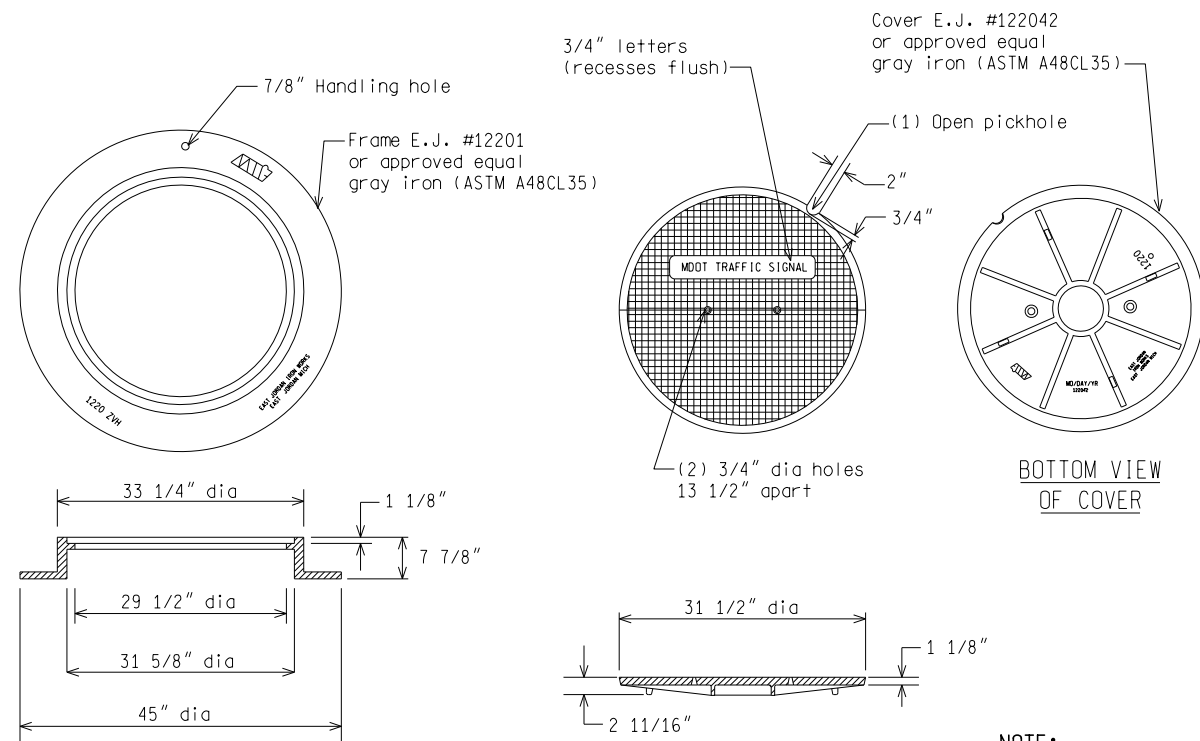
AS-LET PLAN REVISIONS								MDOT Michigan Department of Transportation	DATE:	CS:	DRAWING	SHEET
NO.	DATE	AUTH	DESCRIPTION	NO.	DATE	AUTH	DESCRIPTION					

FILE:

DESIGN UNIT:  
TSC:

JN:

NOTE:  
Logo imprint on cover shall read "MDOT Traffic Signal" for MDOT installations



FRAME SECTION  
**MANHOLE FRAME  
(HEAVY DUTY)**  
Estimated weight 410 lbs

NOTE:  
Machined surface

COVER SECTION  
**MANHOLE COVER  
(HEAVY DUTY)**  
Estimated weight 245 lbs

NOTE:  
Machined surface

4' x 4' x 4' PRECAST CONCRETE HANDHOLE

NOT TO SCALE

MICHIGAN DEPARTMENT OF TRANSPORTATION  
BUREAU OF HIGHWAYS DELIVERY STANDARD PLAN  
File: RefDoc/TR/Signals/Web/Sp Det/FIn/SIG240A.dgn Rev. 02/16/17

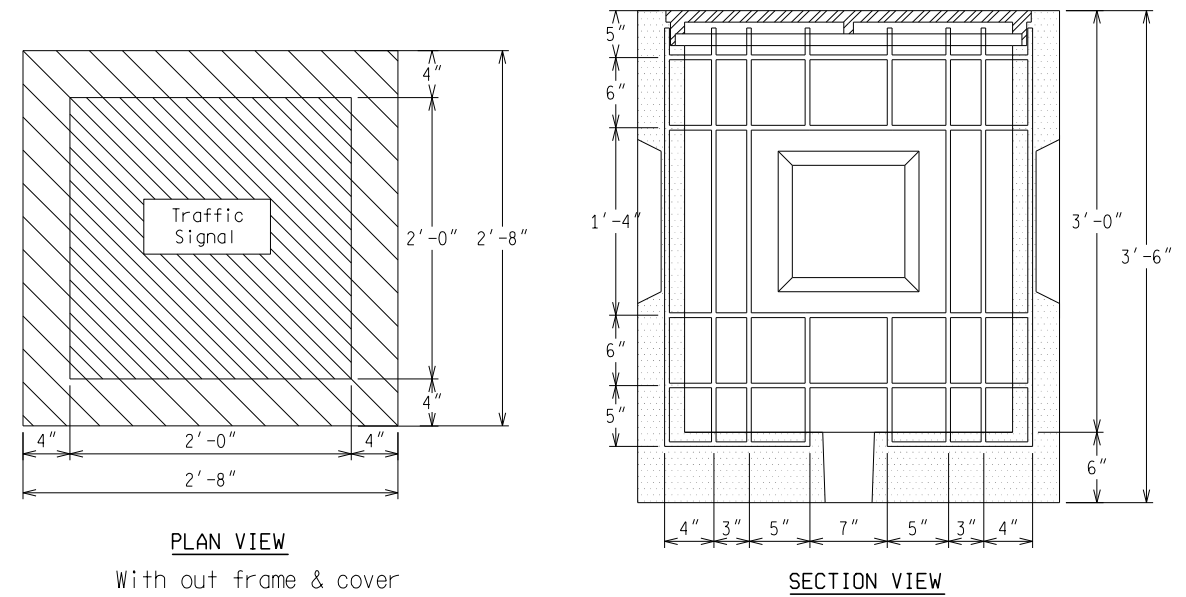
(SPECIAL DETAIL)  
FHWA APPROVAL DATE

PLAN DATE

SIG-240-A

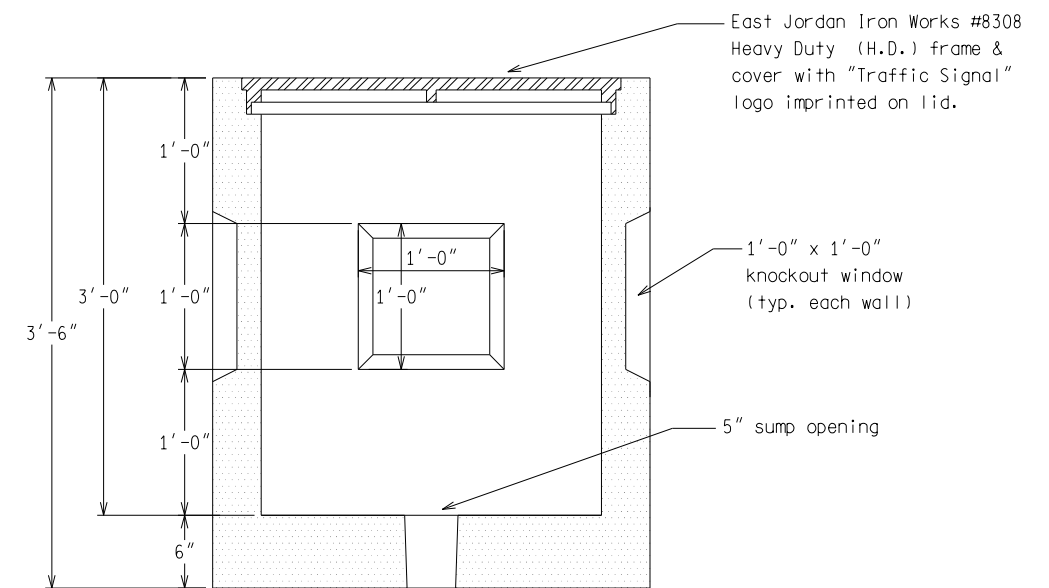
SHEET  
5 of 6

Concrete: 4500 p.s.i. @ 28 days  
Reinforcement: Grade 60 rebar  
All bars are #4



PLAN VIEW  
With out frame & cover

SECTION VIEW  
Typ. reinforcement all walls



SECTION VIEW

2' x 2' SQUARE x 3' HANDHOLE

For use on Oakland County roads only.

NOT TO SCALE

MICHIGAN DEPARTMENT OF TRANSPORTATION  
BUREAU OF HIGHWAYS DELIVERY STANDARD PLAN  
File: RefDoc/TR/Signals/Web/Sp Det/FIn/SIG240A.dgn Rev. 02/16/17

(SPECIAL DETAIL)  
FHWA APPROVAL DATE

PLAN DATE

SIG-240-A

SHEET  
6 of 6

AS-LET PLAN REVISIONS

NO.	DATE	AUTH	DESCRIPTION	NO.	DATE	AUTH	DESCRIPTION



FILE:

DATE:  
DESIGN UNIT:  
TSC:

CS:  
JN:

DRAWING SHEET